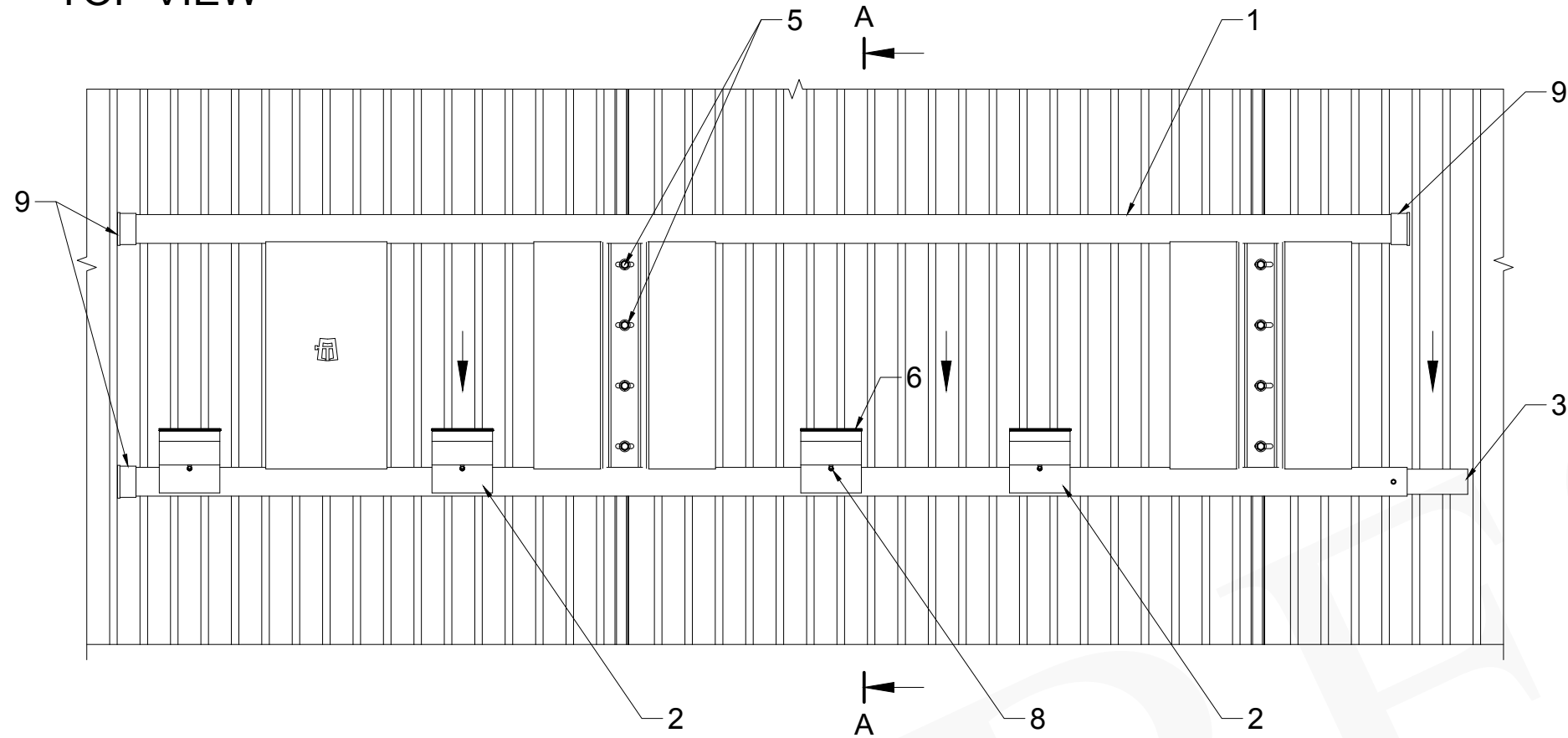
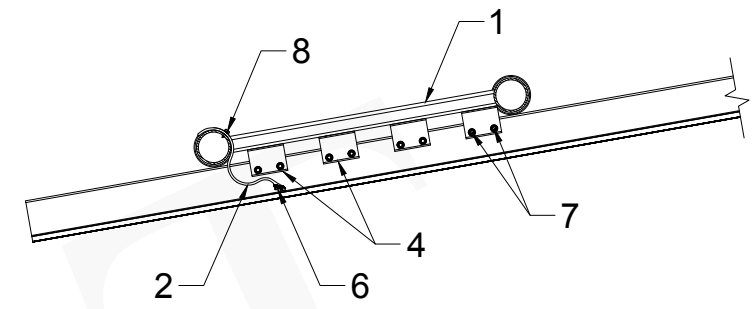


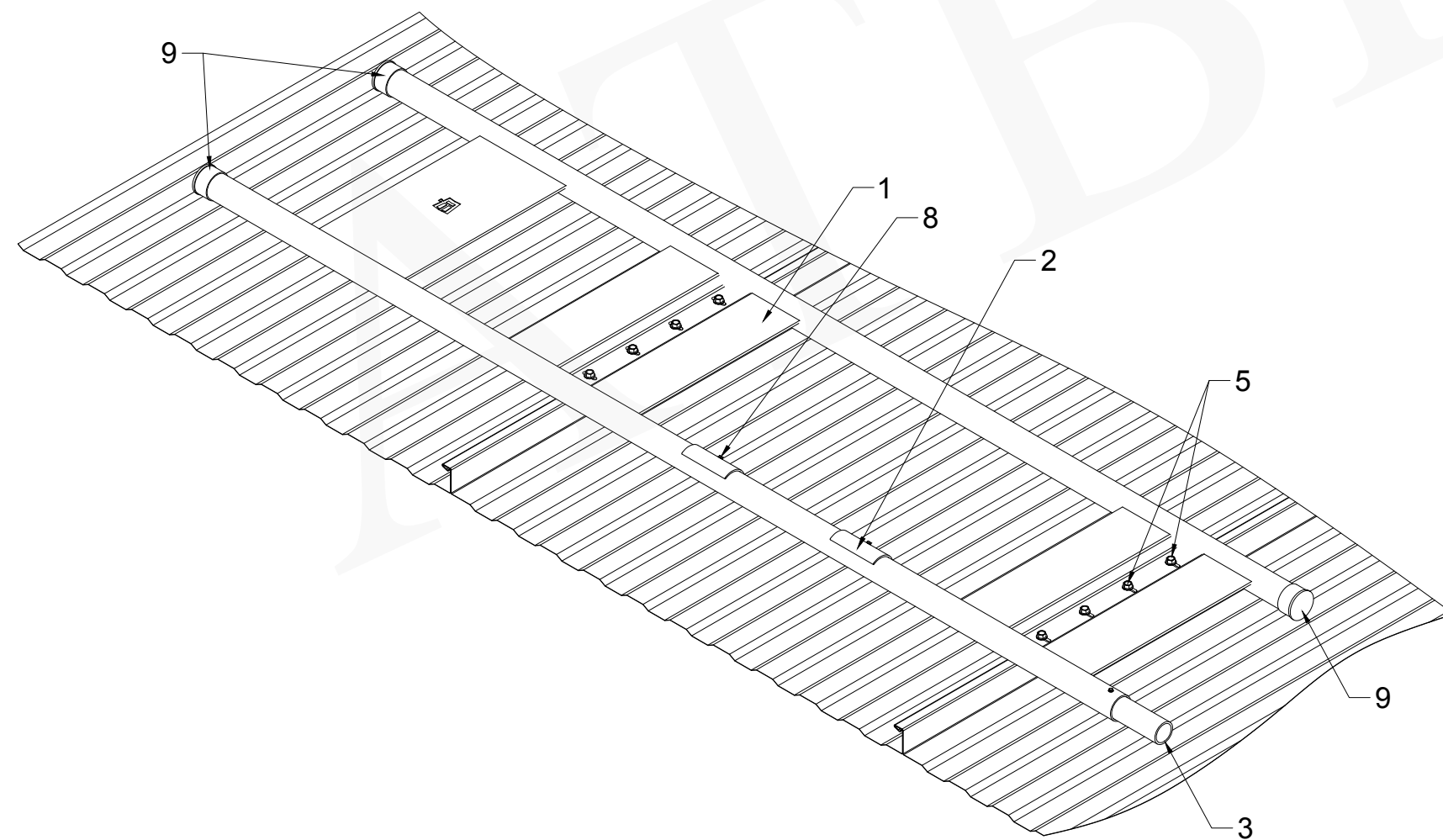
TOP VIEW



CROSS SECTION A-A



ISOMETRIC VIEW



NOTES

- | | |
|-----------------------------------|-------------------------|
| 1. ATBEST CANTILEVER | 6. RUBBER FOOT TOE |
| 2. X-CLIP BETWEEN ROOF SEAMS | 7. ROUND POINT SETSCREW |
| 3. PIPE SPLICE | 8. SELF-TAPPING SCREW |
| 4. S-5! CLAMP | 9. END CAP |
| 5. M8-1.25 x 20mm HEX FLANGE BOLT | |



1-3521 78th Ave. S.E.
CALGARY, AB T2C 1J7
(403) 225-2378
info@atbest.ca
www.atbest.ca



DRAWING TITLE:

**X-Gard Cantilever
Assembly**

DRAWING NUMBER:

XGRD 003

ISSUE DATE:
01/2022

DRAWN BY:
MS

SYSTEM WEBPAGE:
<https://atbest.ca/x-gard-cantilever/>

SCAN FOR 3D ANIMATION:

