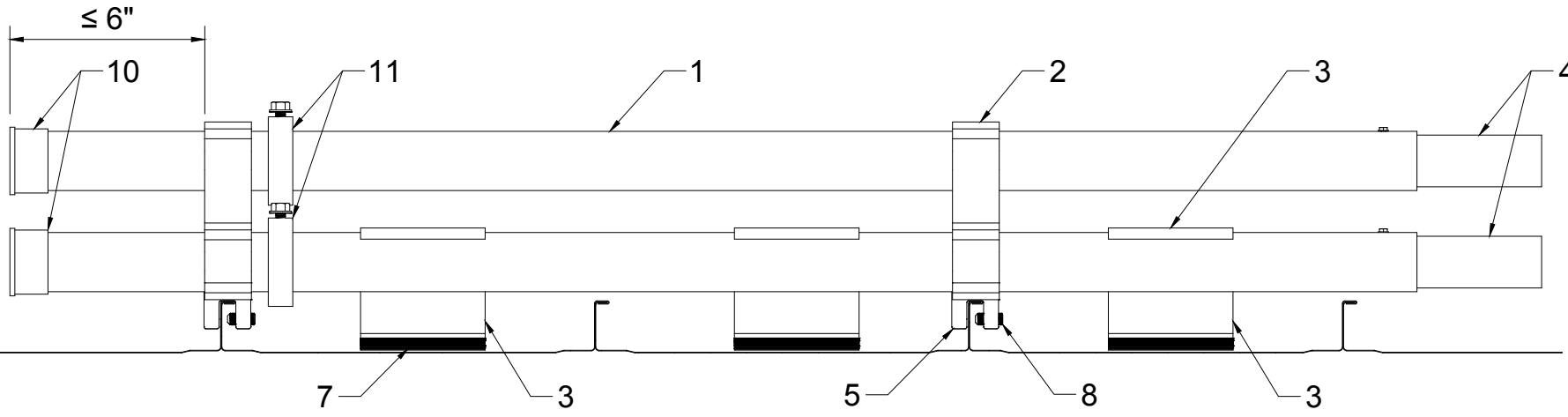
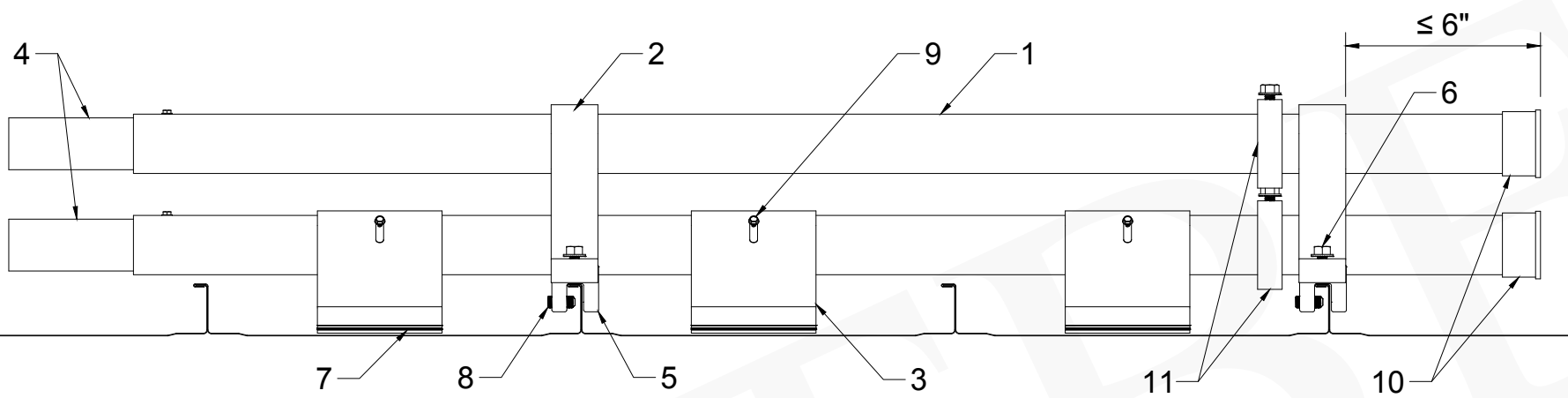


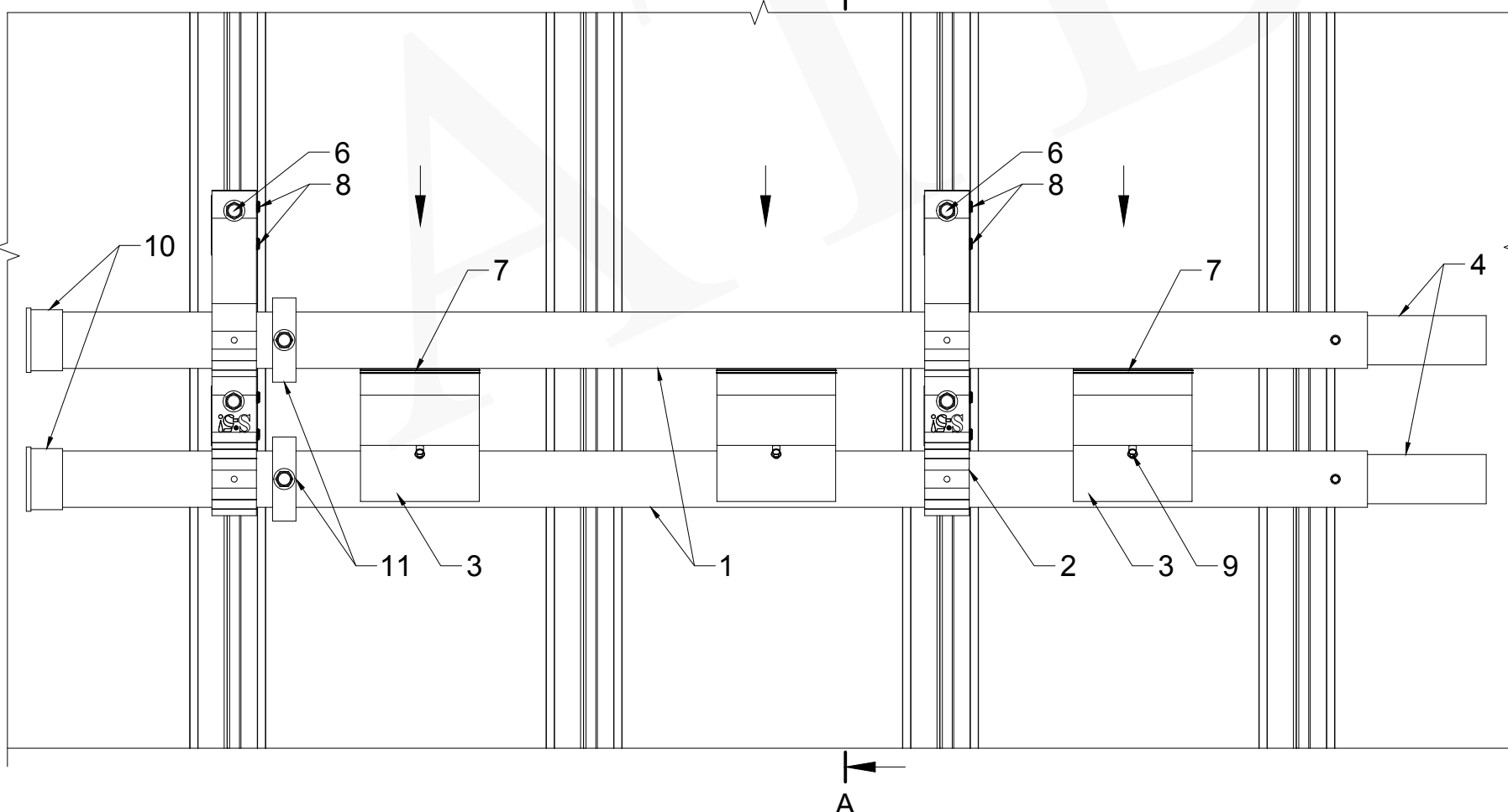
**FRONT VIEW**



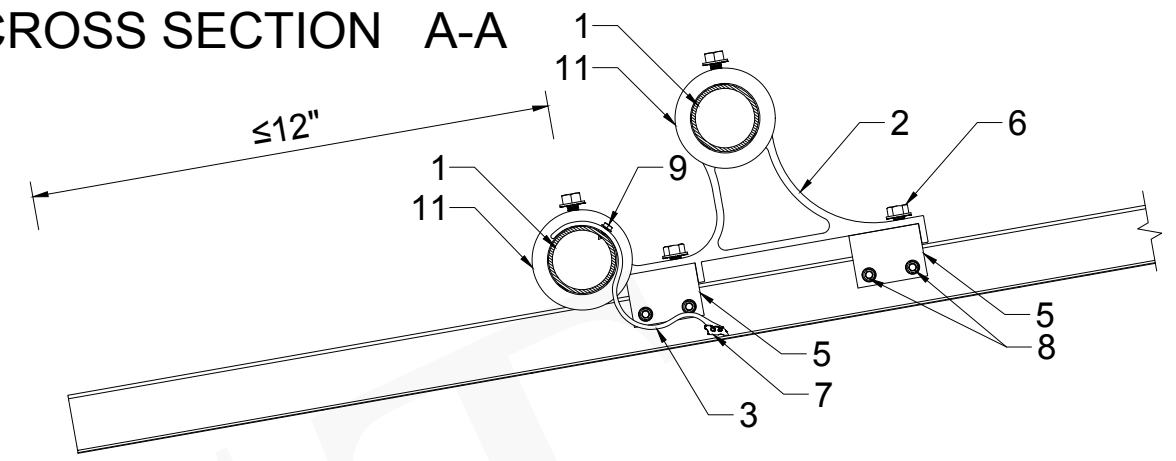
**BACK VIEW**



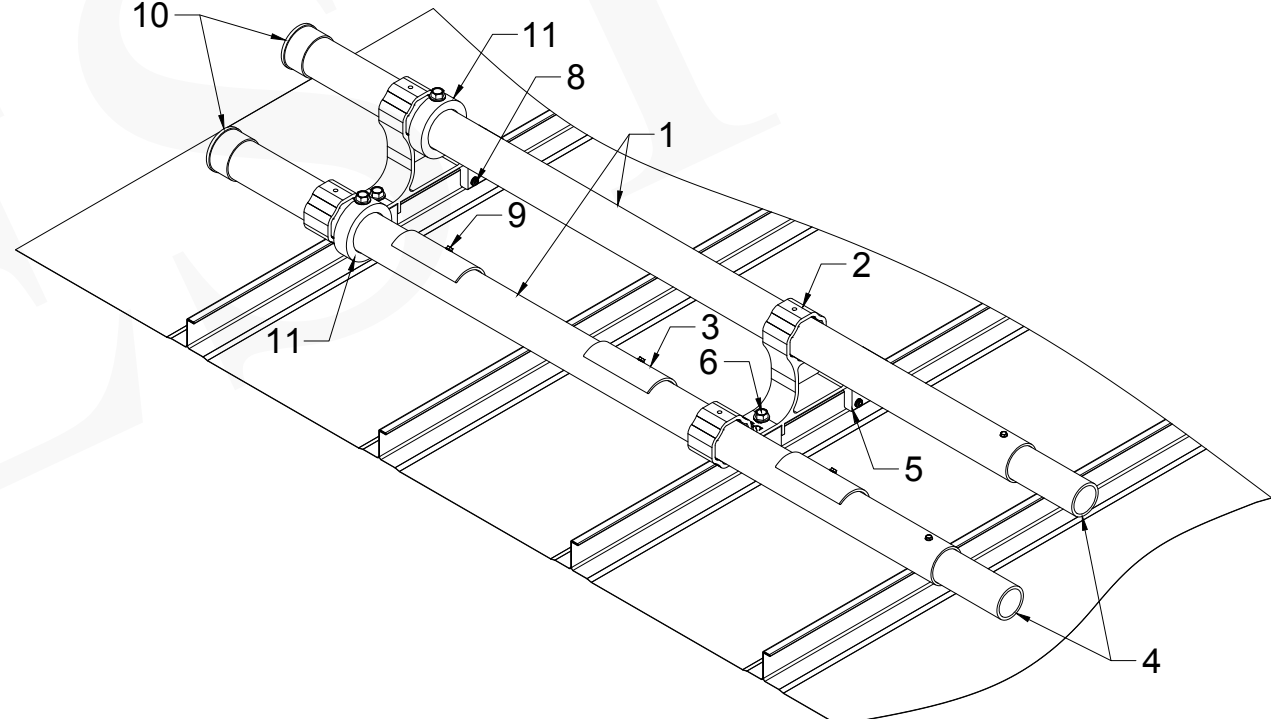
**TOP VIEW**



**CROSS SECTION A-A**



**ISOMETRIC VIEW**



**NOTES**

- |                                   |                         |
|-----------------------------------|-------------------------|
| 1. PIPE 1.9" OD                   | 7. RUBBER FOOT TOE      |
| 2. X-GARD 2.0 BRACKET             | 8. ROUND POINT SETSCREW |
| 3. X-CLIP BETWEEN ROOF SEAMS      | 9. SELF-TAPPING SCREW   |
| 4. PIPE SPLICE                    | 10. END CAP             |
| 5. S-5! CLAMP                     | 11. LOCK COLLAR         |
| 6. M8-1.25 x 20mm HEX FLANGE BOLT |                         |



1-3521 78th Ave. S.E.  
CALGARY, AB T2C 1J7  
(403) 225-2378  
info@atbest.ca  
www.atbest.ca



DRAWING TITLE:  
**X-Gard 2.0 System Assembly**

DRAWING NUMBER:  
**XGRD 002**

ISSUE DATE:  
01/2022

DRAWN BY:  
MS

SYSTEM WEBPAGE:  
<https://atbest.ca/x-gard-2-0-snow-retention/>

SCAN FOR 3D ANIMATION:

