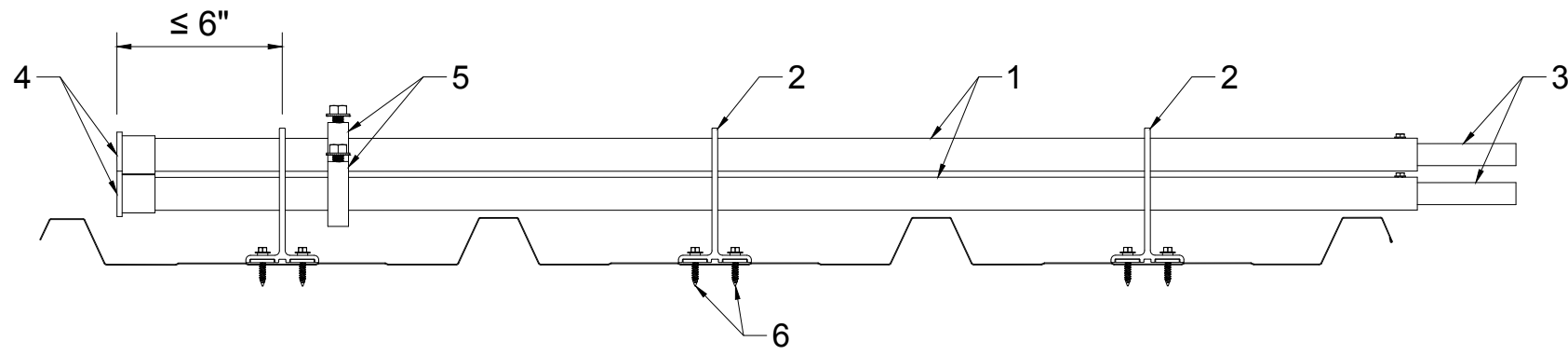
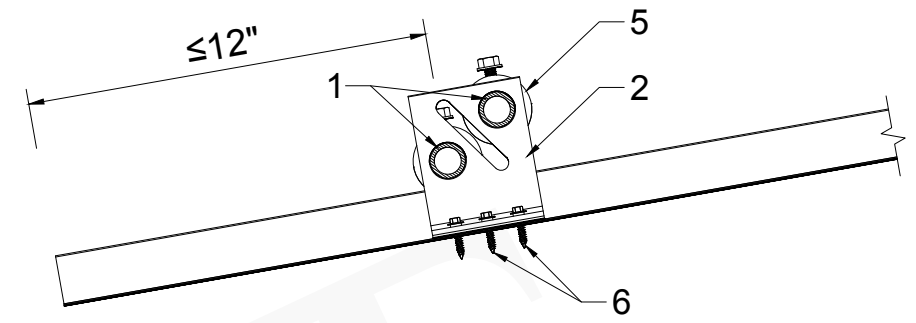


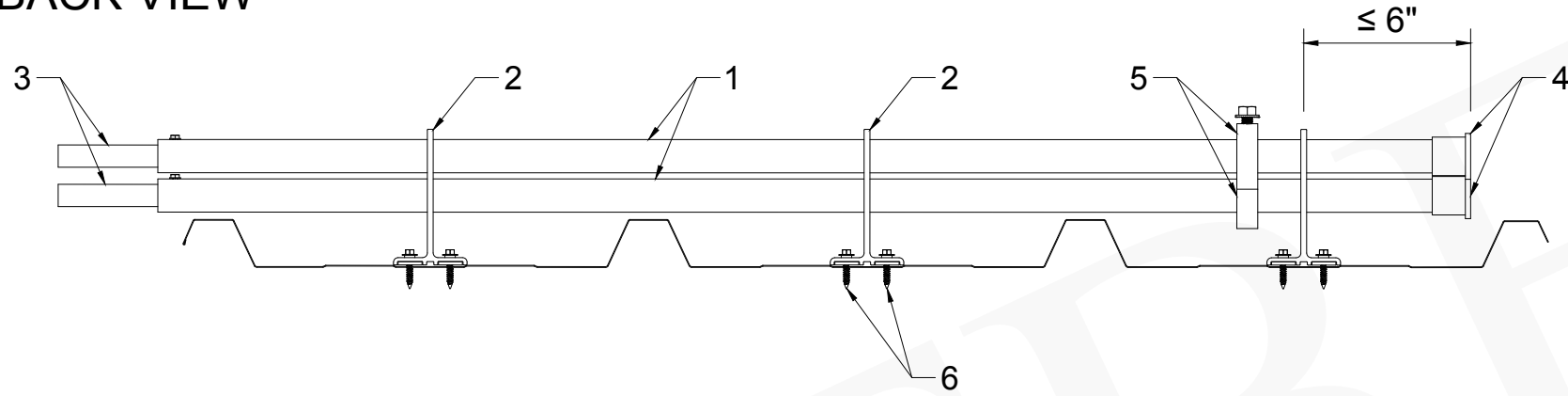
FRONT VIEW



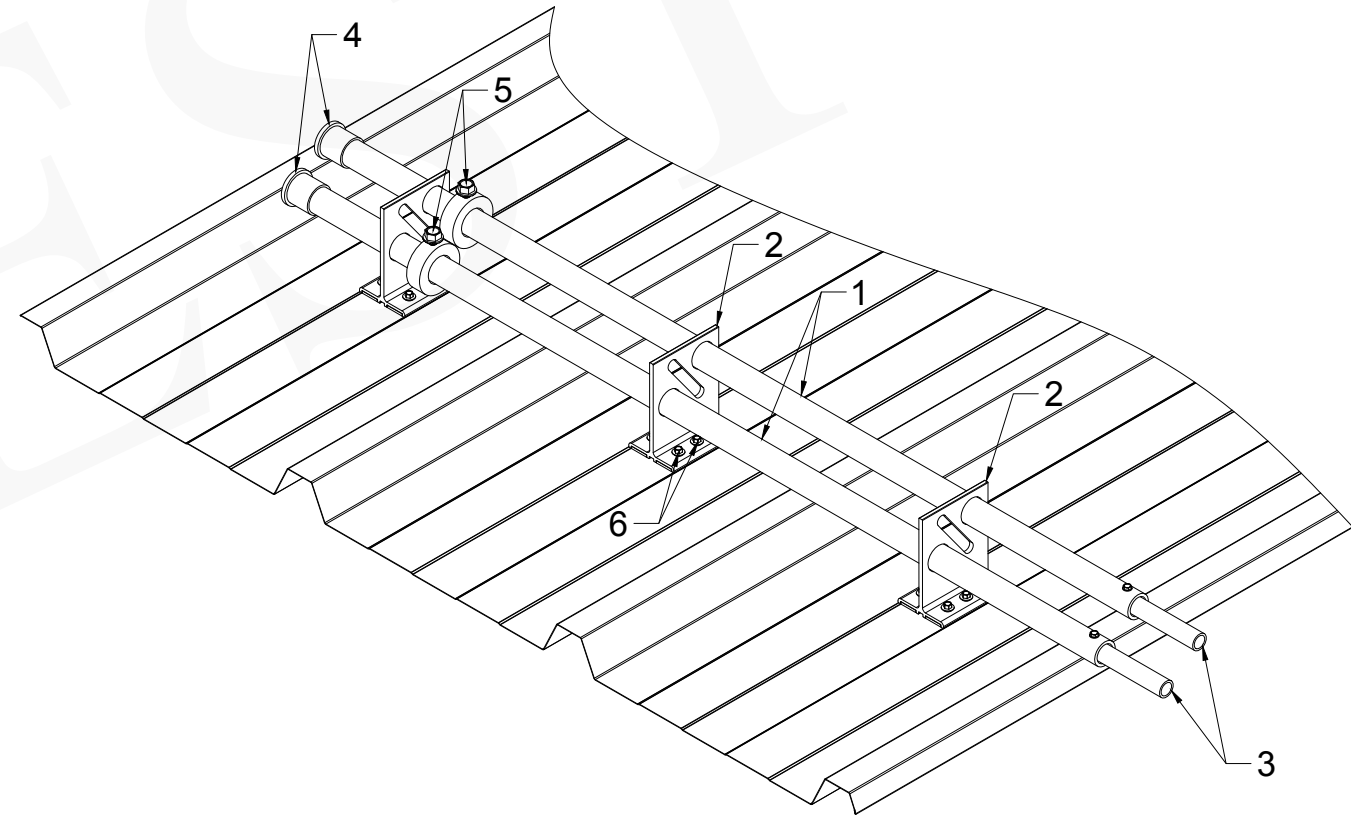
CROSS SECTION A-A



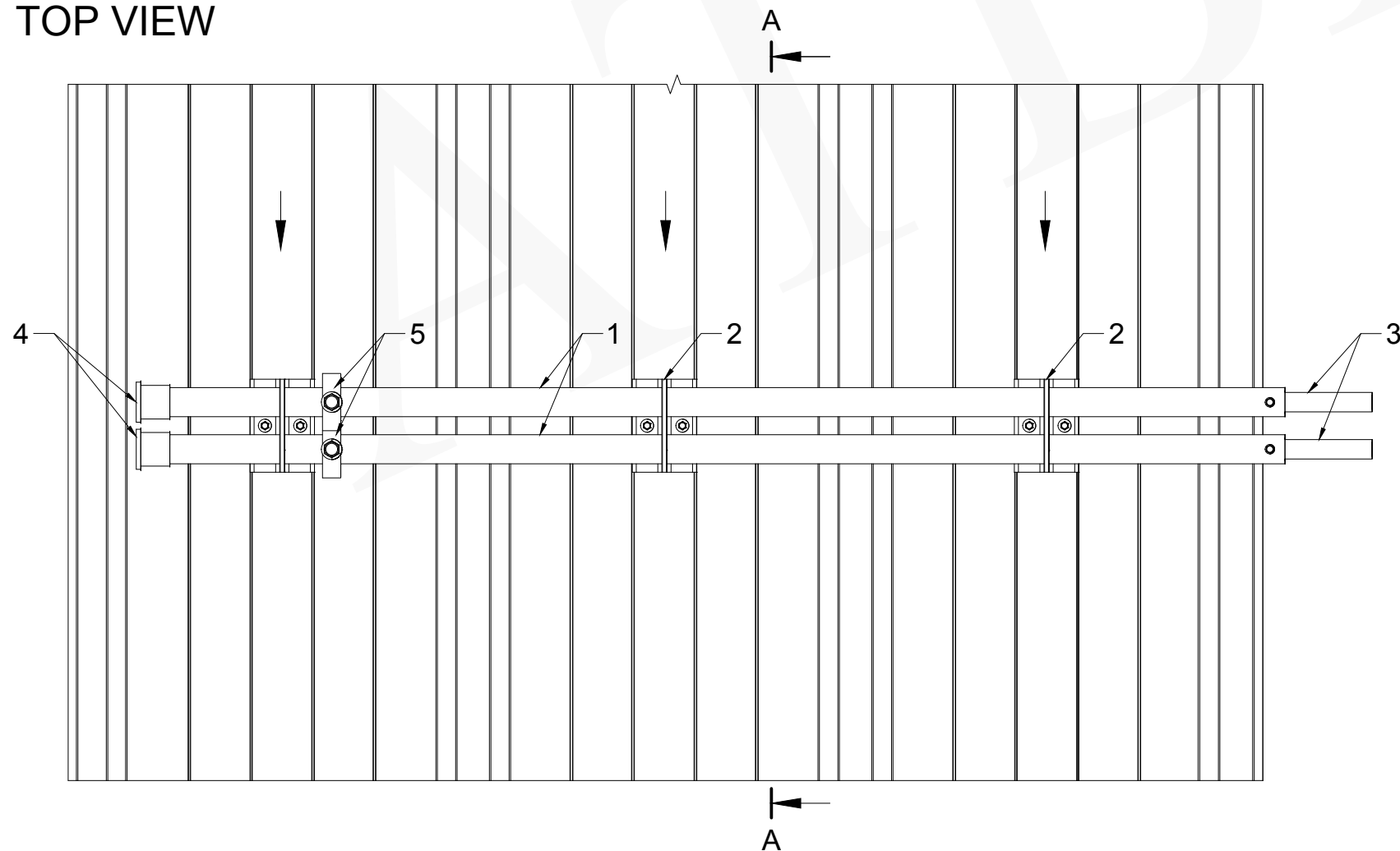
BACK VIEW



ISOMETRIC VIEW



TOP VIEW



NOTES

- | | |
|----------------------|------------------------------|
| 1. TUBE 1" OD | 4. END CAP |
| 2. VERSAGARD BRACKET | 5. LOCK COLLAR |
| 3. TUBE SPLICE | 6. SCREW (ACC. TO SUBSTRATE) |



1-3521 78th Ave. S.E.
CALGARY, AB T2C 1J7
(403) 225-2378
info@atbest.ca
www.atbest.ca



DRAWING TITLE:

**VersaGard System
Assembly**

DRAWING NUMBER:

VGRD 002

ISSUE DATE:
01/2022

DRAWN BY:
MS

SYSTEM WEBPAGE:
<https://atbest.ca/versagard-snow-retention/>

SCAN FOR 3D ANIMATION:

