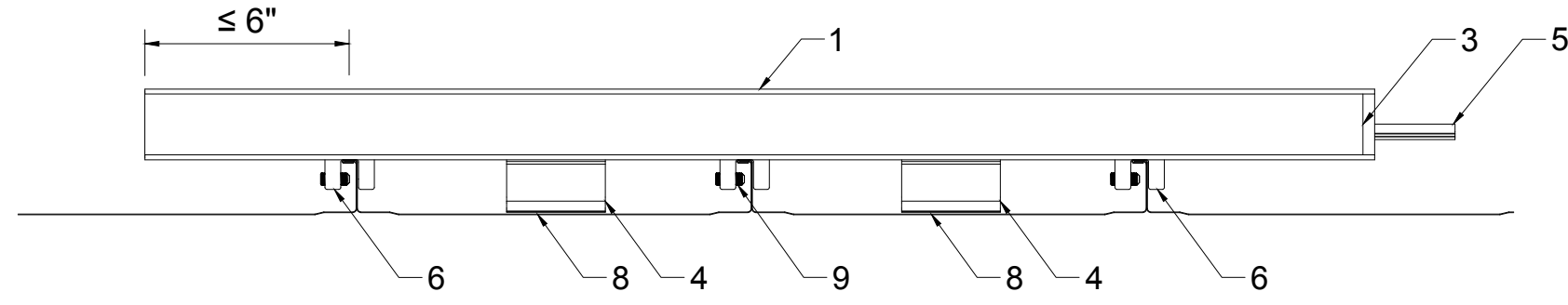
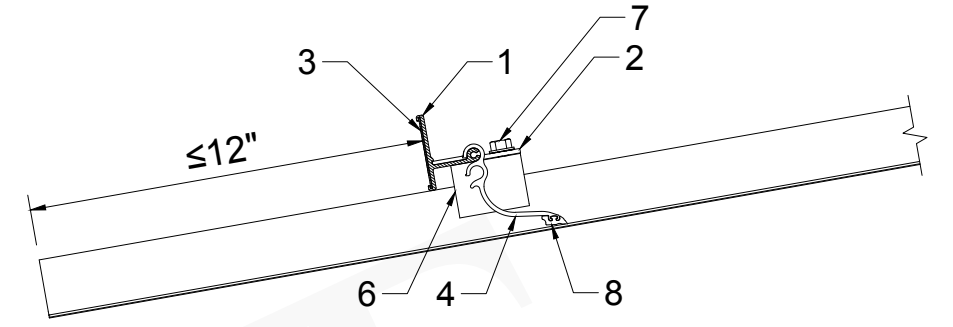


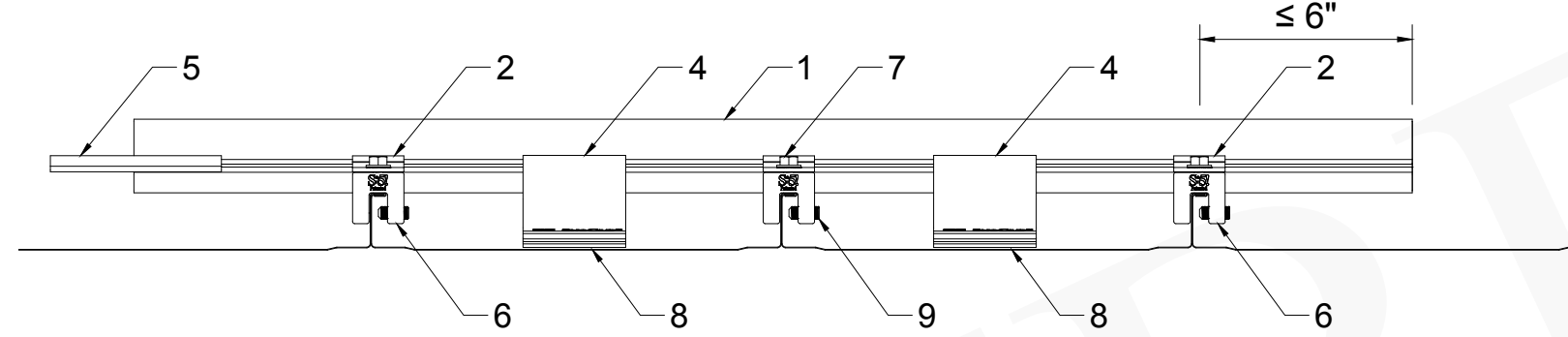
FRONT VIEW



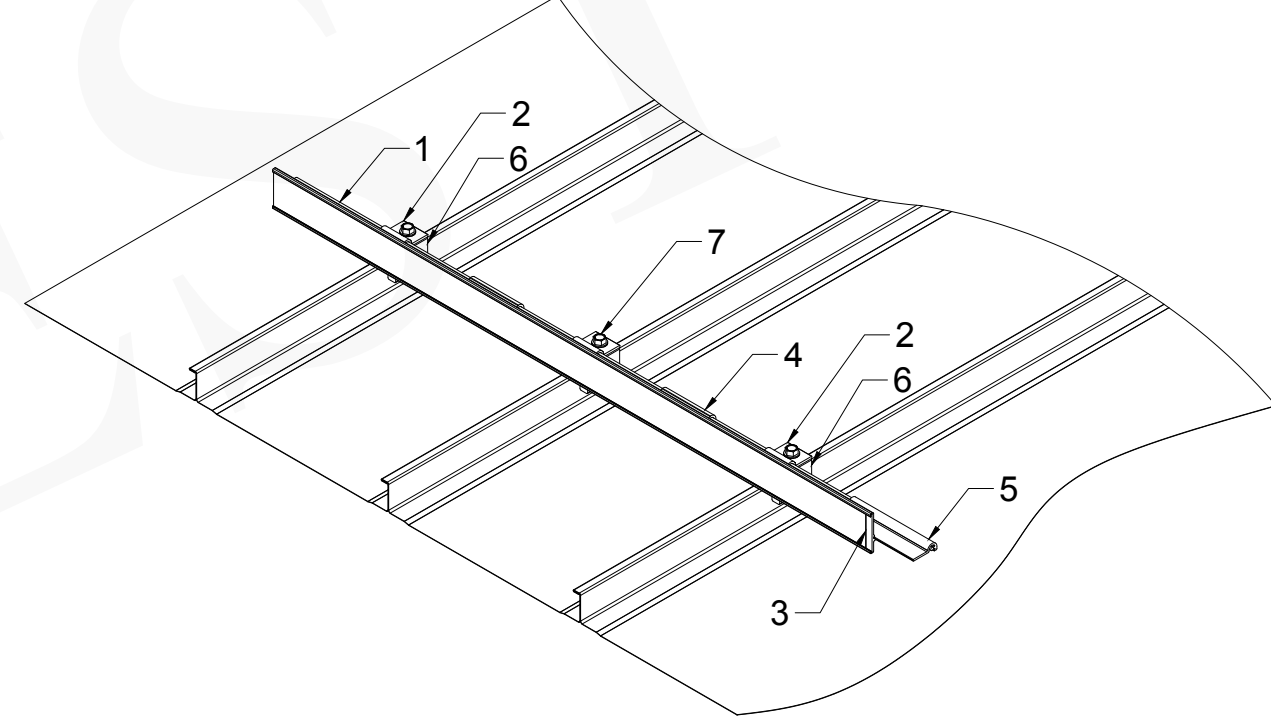
CROSS SECTION



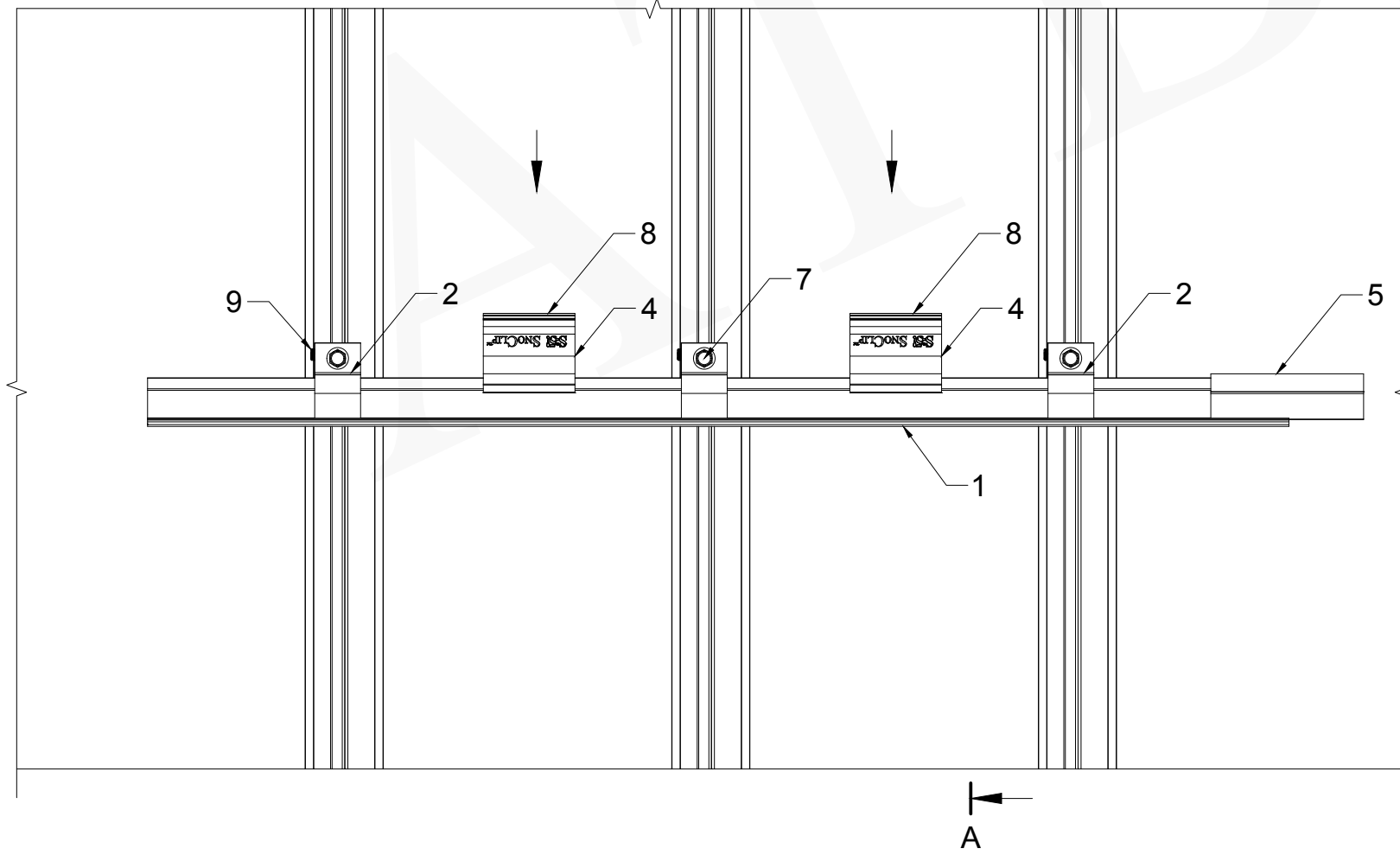
BACK VIEW



ISOMETRIC VIEW



TOP VIEW

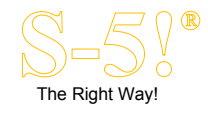


NOTES

- |                                            |                                   |
|--------------------------------------------|-----------------------------------|
| 1. COLORGARD CROSSMEMBER                   | 5. COLORGARD SPLICE               |
| 2. VERSACLIP                               | 6. S-5! CLAMP                     |
| 3. 2" PREFINISHED COLORSTRIP TO MATCH ROOF | 7. M8-1.25 x 20mm HEX FLANGE BOLT |
| 4. SNOCLIP BETWEEN ROOF SEAMS              | 8. RUBBER FOOT TOE                |
|                                            | 9. ROUND POINT SETSCREW           |



1-3521 78th Ave. S.E.  
CALGARY, AB T2C 1J7  
(403) 225-2378  
info@atbest.ca  
www.atbest.ca



DRAWING TITLE:  
**ColorGard System Assembly**

DRAWING NUMBER:  
**CGRD 002**

ISSUE DATE:  
01/2022

DRAWN BY:  
MS

SYSTEM WEBPAGE:  
<https://atbest.ca/colorgard-snow-retention/>

SCAN FOR 3D ANIMATION:

