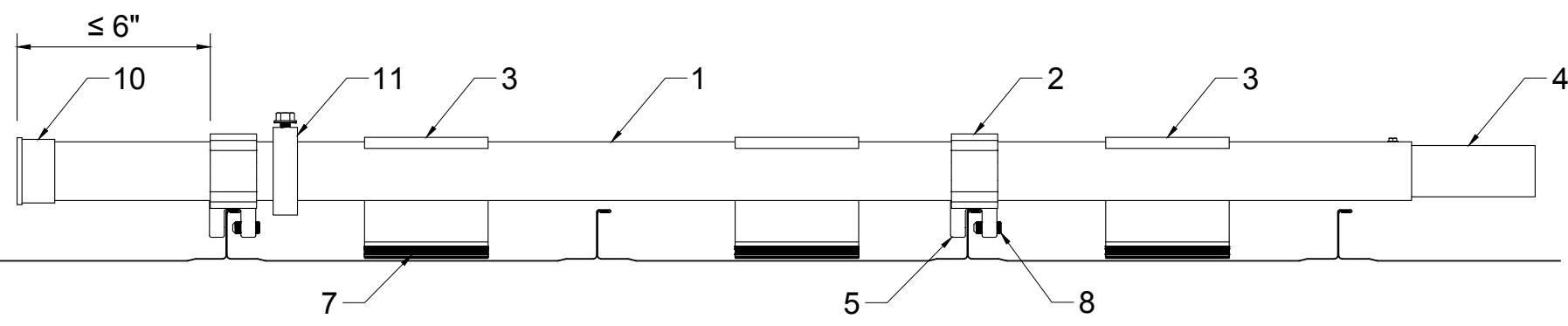
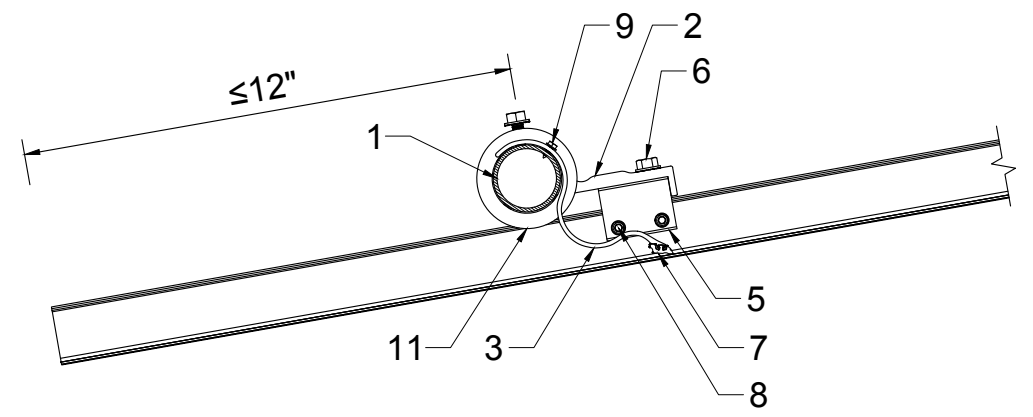


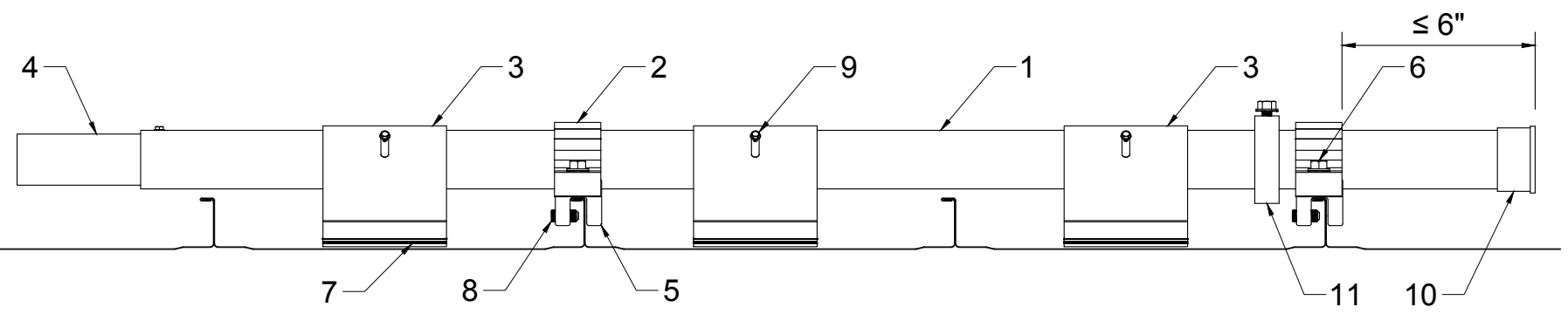
FRONT VIEW



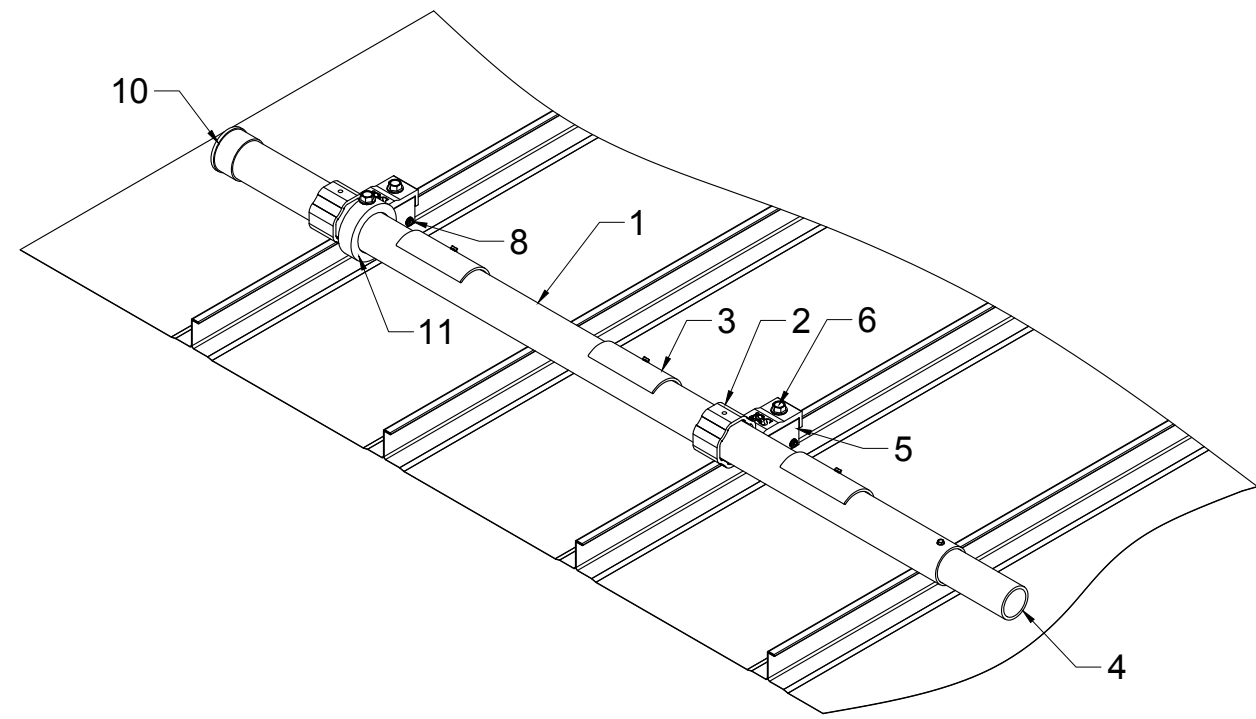
CROSS SECTION A-A



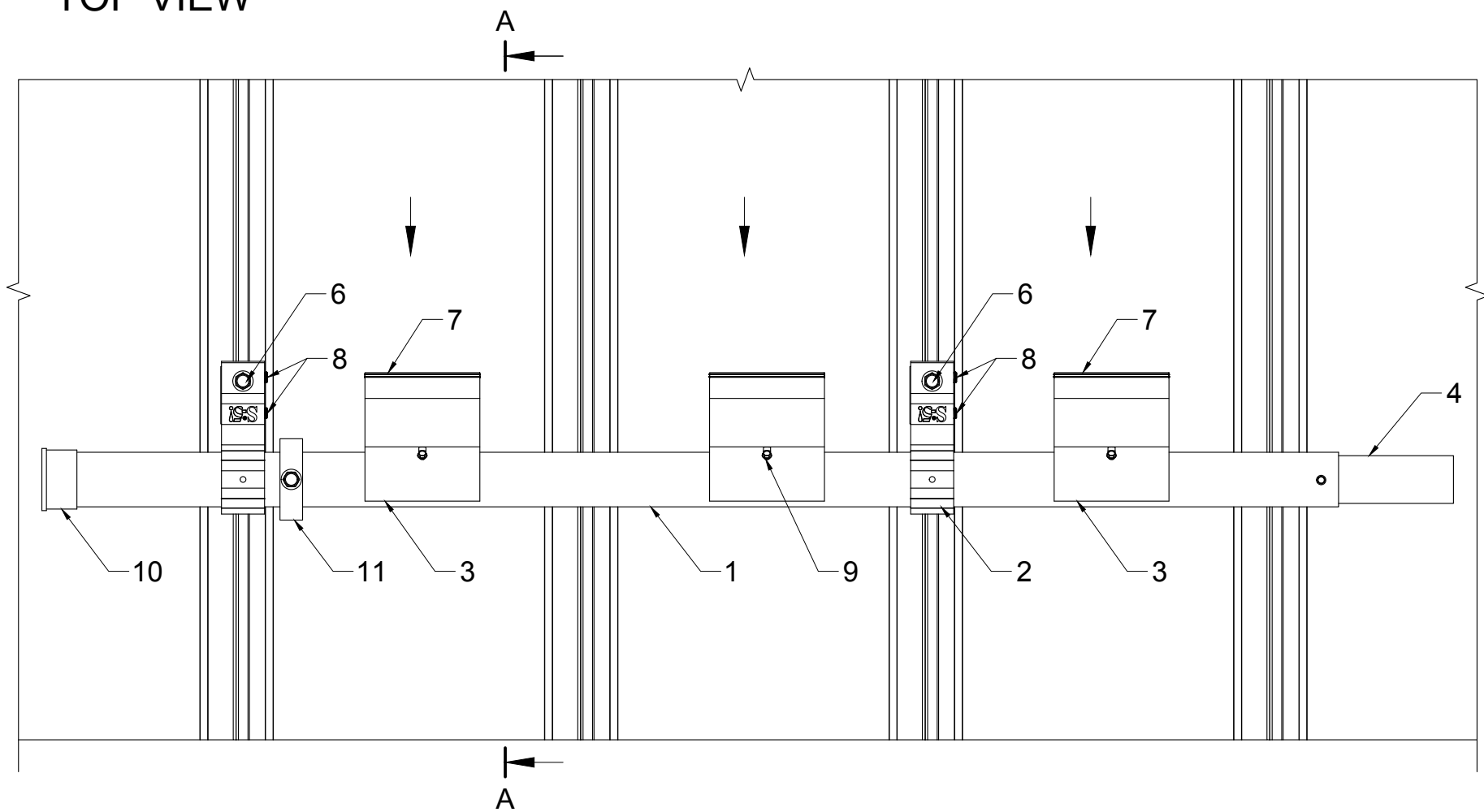
BACK VIEW



ISOMETRIC VIEW



TOP VIEW

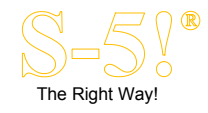


NOTES

- | | |
|-----------------------------------|-------------------------|
| 1. PIPE 1.9" OD | 7. RUBBER FOOT TOE |
| 2. X-GARD 1.0 BRACKET | 8. ROUND POINT SETSCREW |
| 3. X-CLIP BETWEEN ROOF SEAMS | 9. SELF-TAPPING SCREW |
| 4. PIPE SPLICE | 10. END CAP |
| 5. S-5! CLAMP | 11. LOCK COLLAR |
| 6. M8-1.25 x 20mm HEX FLANGE BOLT | |



1-3521 78th Ave. S.E.
CALGARY, AB T2C 1J7
(403) 225-2378
info@atbest.ca
www.atbest.ca



DRAWING TITLE:
X-Gard 1.0 System Assembly

DRAWING NUMBER:
XGRD 001

ISSUE DATE:
03/2021

DRAWN BY:
MS

SYSTEM WEBPAGE:
<https://rediron.ca/x-gard-1-0/>

SCAN FOR 3D ANIMATION:

