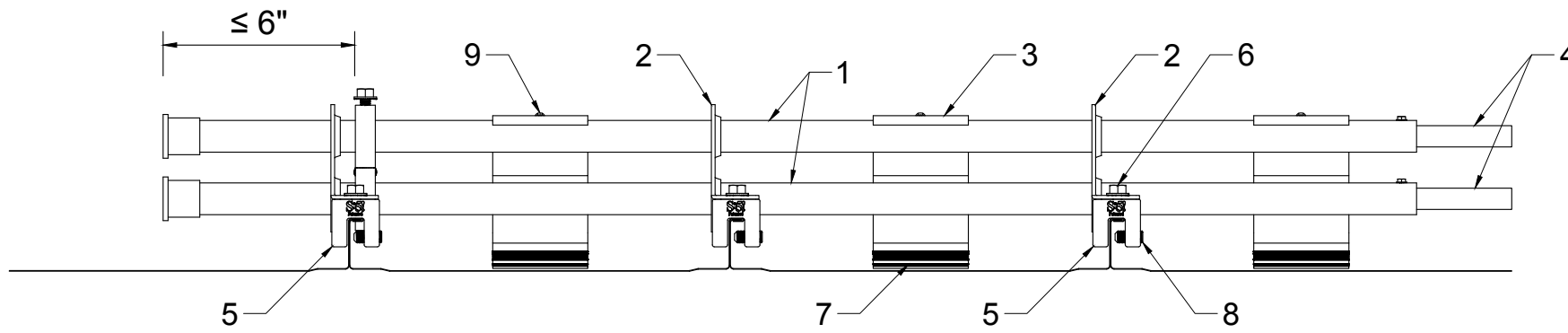
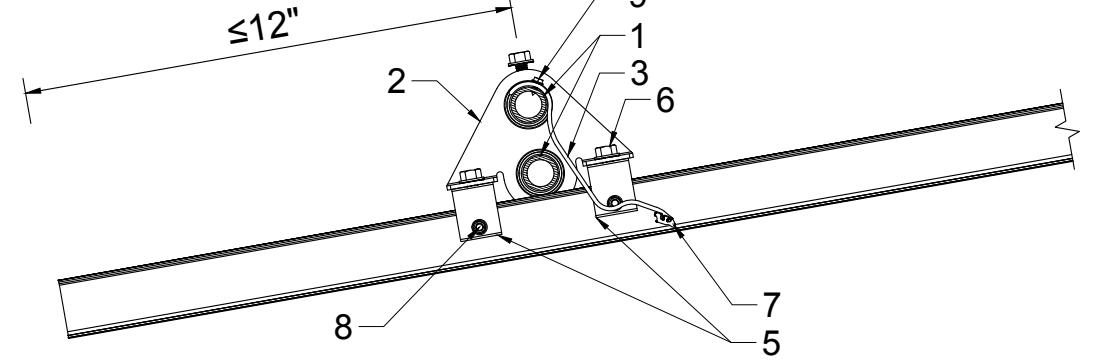


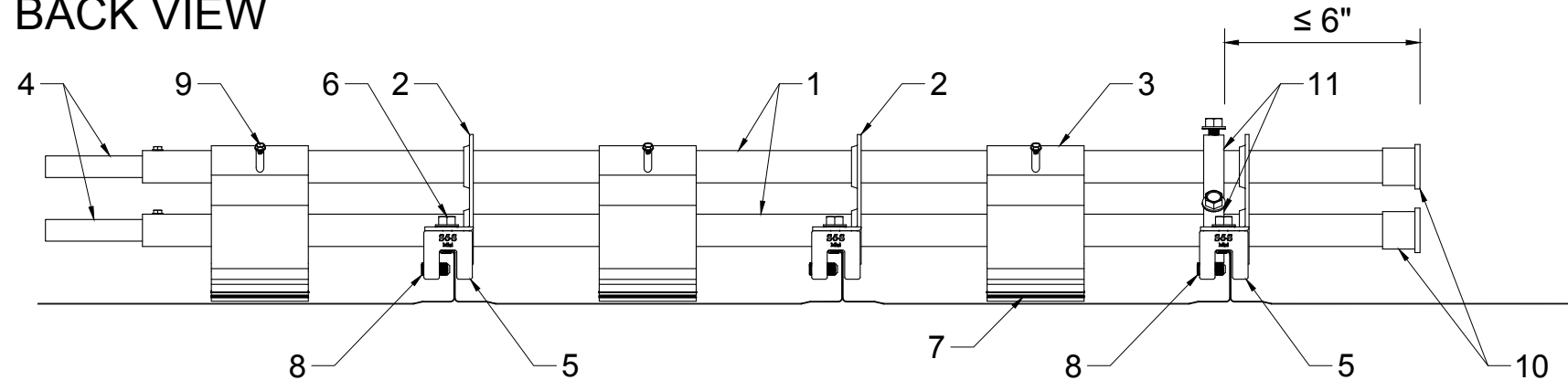
FRONT VIEW



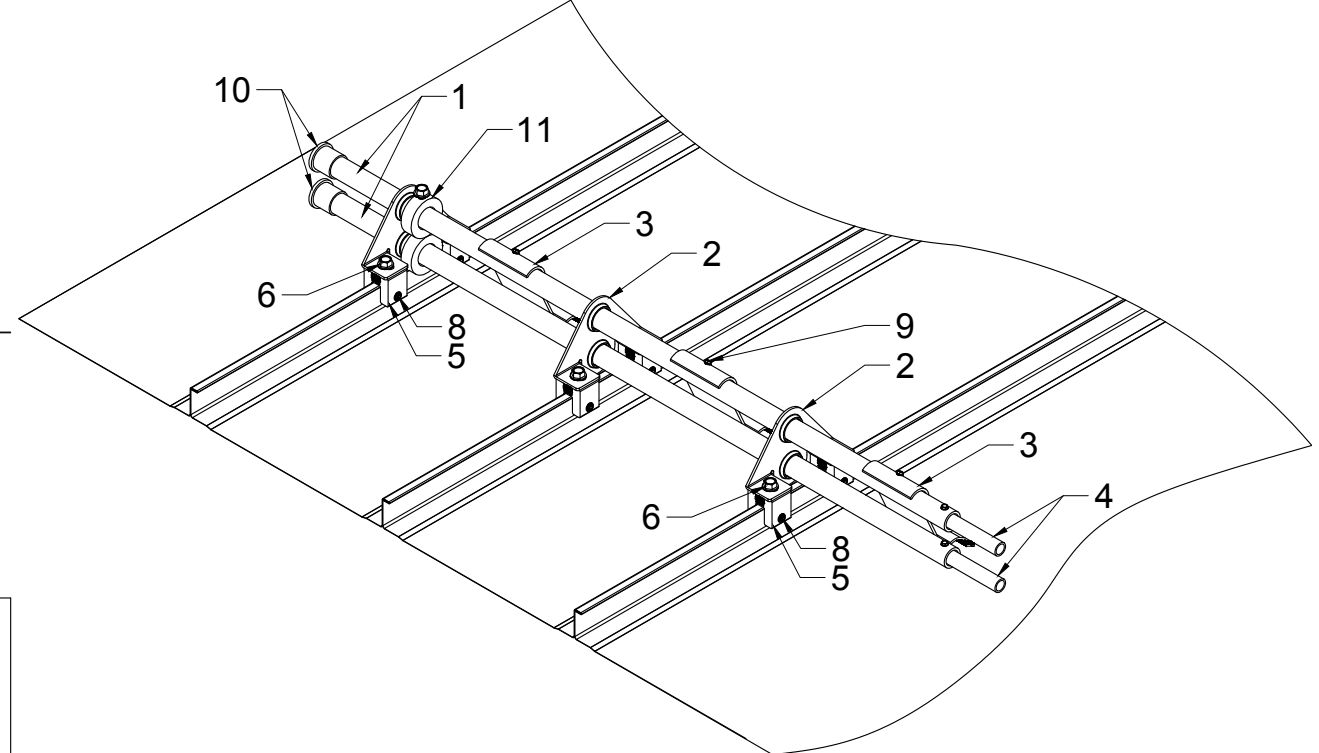
CROSS SECTION A-A



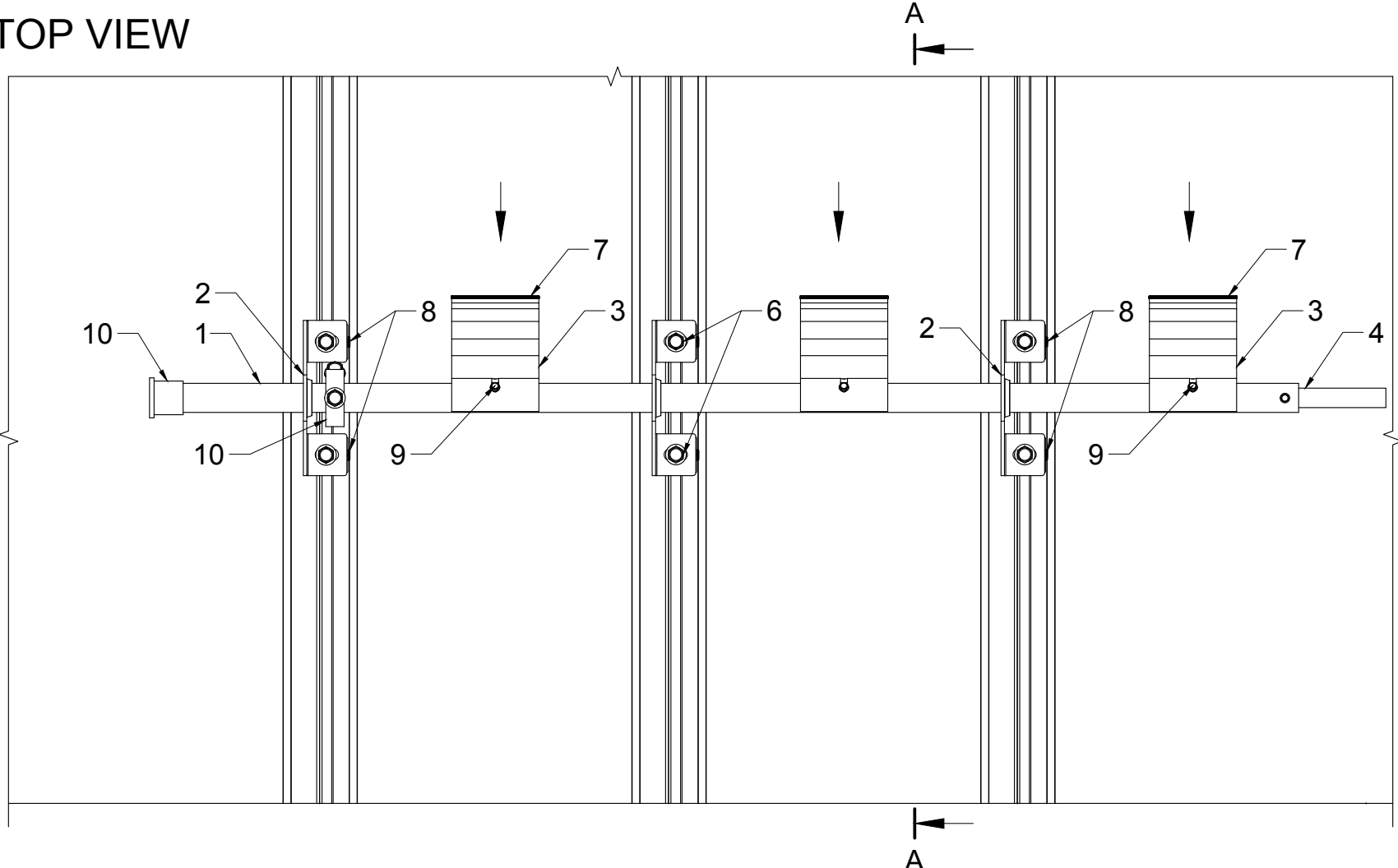
BACK VIEW



ISOMETRIC VIEW



TOP VIEW



NOTES

- 1. TUBE 1" OD
- 2. DUALGARD BRACKET
- 3. DUALCLIP BETWEEN ROOF SEAMS
- 4. TUBE SPLICE
- 5. S-5! CLAMP
- 6. M8-1.25 x 20mm HEX FLANGE BOLT
- 7. RUBBER FOOT TOE
- 8. ROUND POINT SETSCREW
- 9. SELF-TAPPING SCREW
- 10. END CAP
- 11. LOCK COLLAR



1-3521 78th Ave. S.E.
 CALGARY, AB T2C 1J7
 (403) 225-2378
 info@atbest.ca
 www.atbest.ca



DRAWING TITLE:
DualGard System Assembly

DRAWING NUMBER:
DGRD 001

ISSUE DATE:
 03/2021

DRAWN BY:
 MS

SYSTEM WEBPAGE:
<https://rediron.ca/dualgard/>

SCAN FOR 3D ANIMATION:

