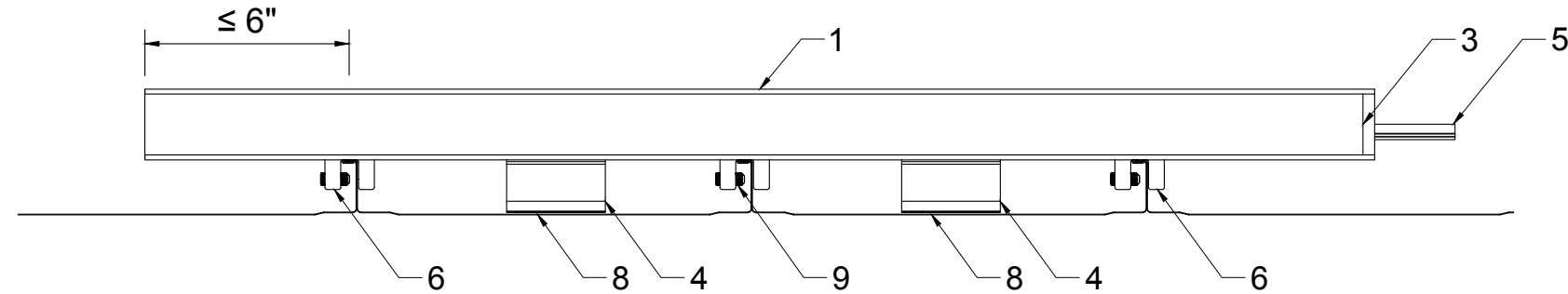
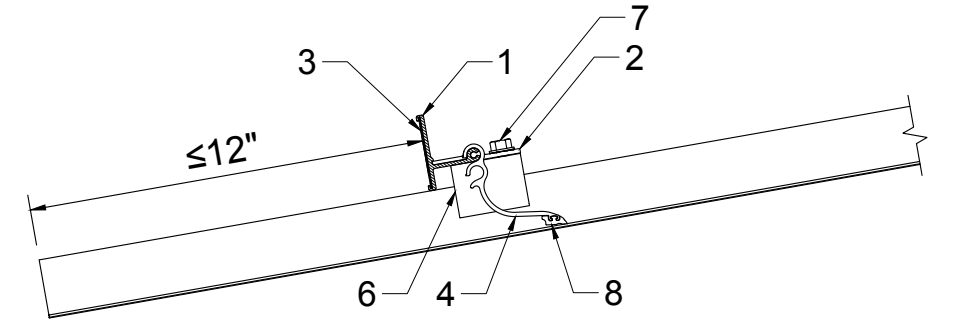


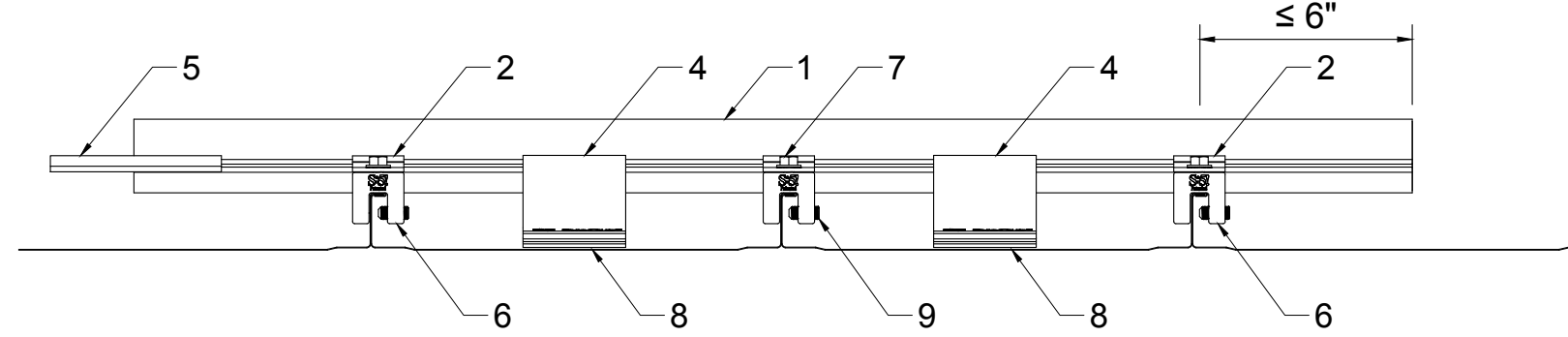
FRONT VIEW



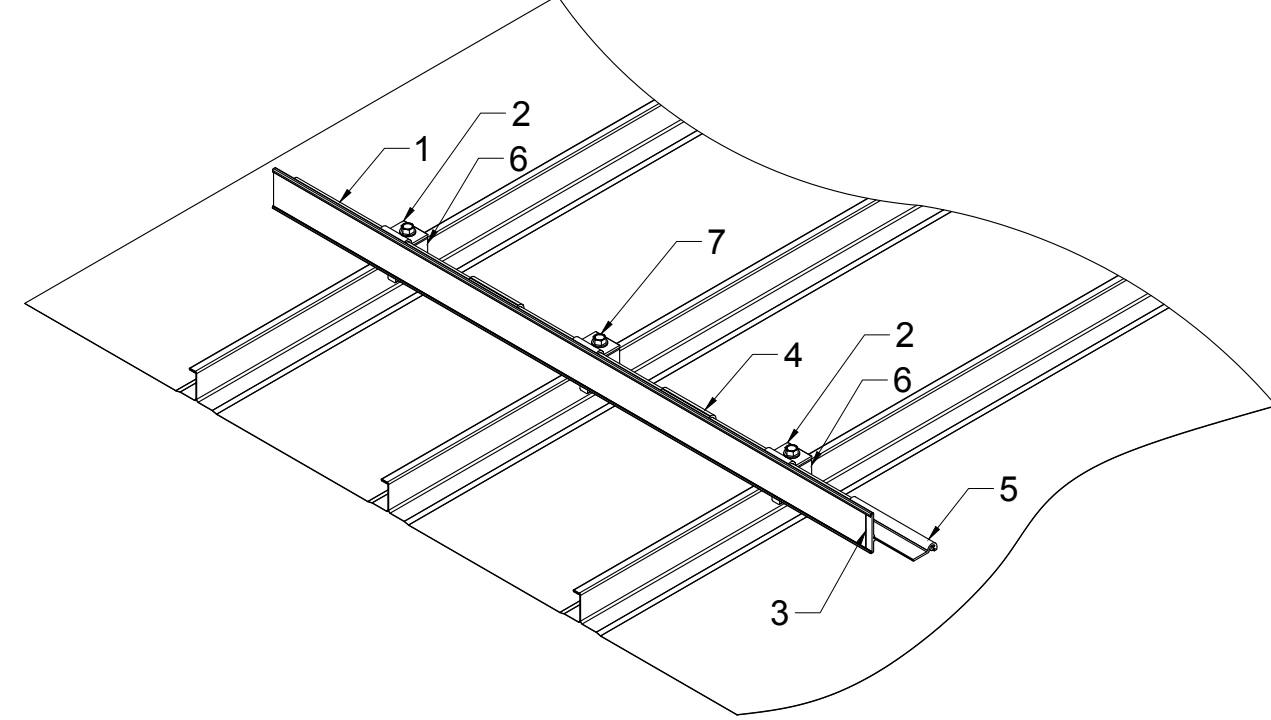
CROSS SECTION



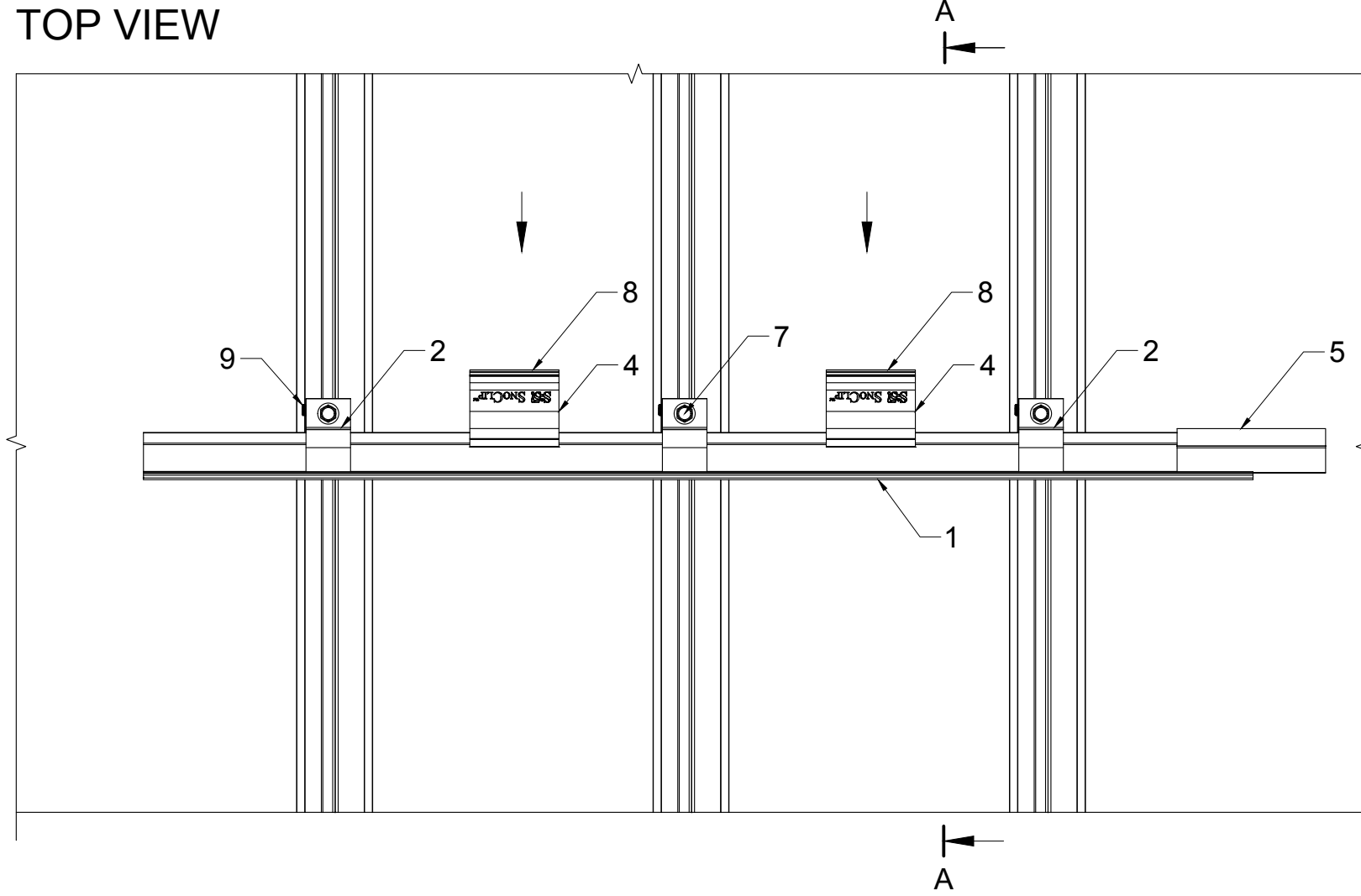
BACK VIEW



ISOMETRIC VIEW



TOP VIEW

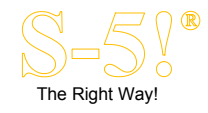


NOTES

- | | |
|--|-----------------------------------|
| 1. COLORGARD CROSSMEMBER | 5. COLORGARD SPLICE |
| 2. VERSACLIP | 6. S-5! CLAMP |
| 3. 2" PREFINISHED COLORSTRIP TO MATCH ROOF | 7. M8-1.25 x 20mm HEX FLANGE BOLT |
| 4. SNOCLIP BETWEEN ROOF SEAMS | 8. RUBBER FOOT TOE |
| | 9. ROUND POINT SETSCREW |



1-3521 78th Ave. S.E.
CALGARY, AB T2C 1J7
(403) 225-2378
info@atbest.ca
www.atbest.ca



DRAWING TITLE:
ColorGard System Assembly

DRAWING NUMBER:
CGRD 001

ISSUE DATE:
03/2021

DRAWN BY:
MS

SYSTEM WEBPAGE:
<https://rediron.ca/colorgard/>

SCAN FOR 3D ANIMATION:

