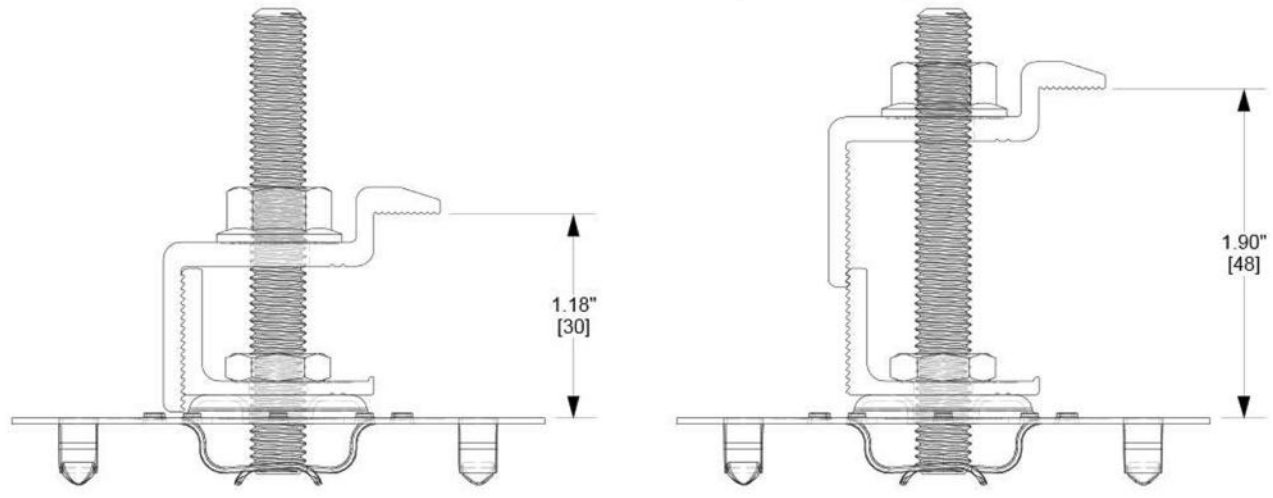
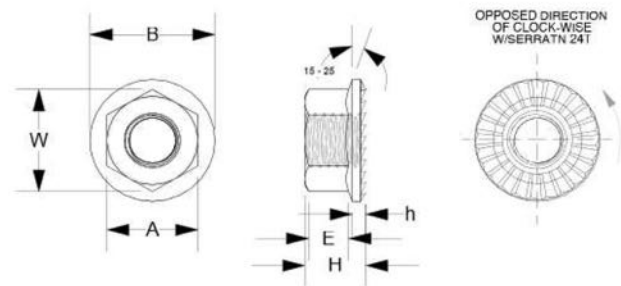
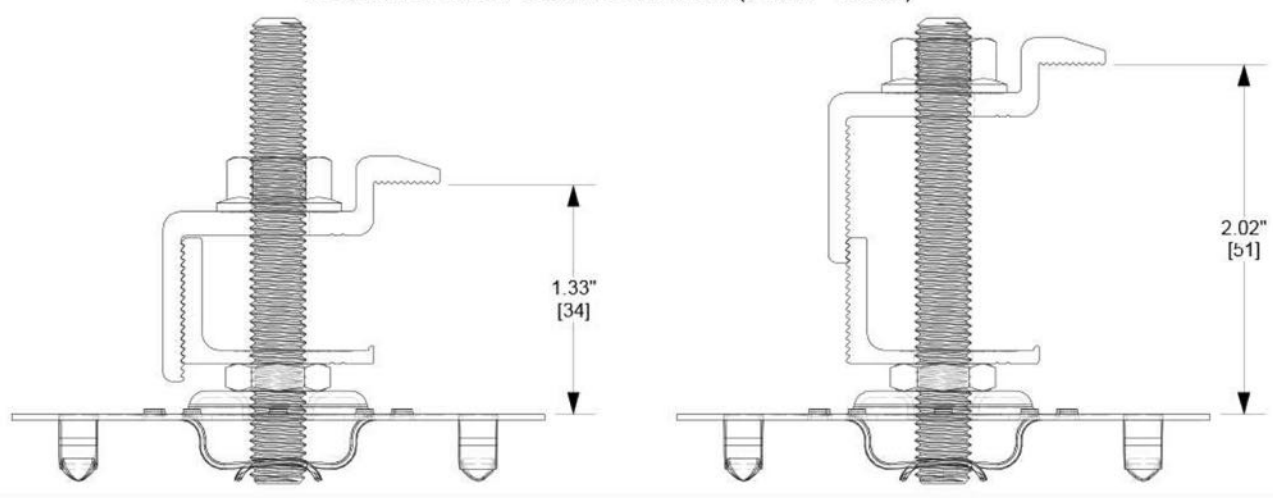


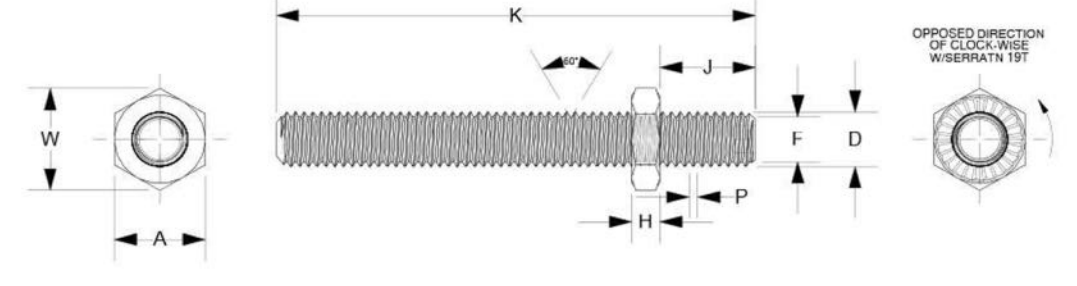
EDGE ASSEMBLY CONFIGURATION (30MM - 48MM)



EDGE ASSEMBLY CONFIGURATION (34MM - 51MM)



DETAILS	HEAD DIA.	HEAD HI	E min.	h min.	W min.	WASHER DIA.
SIZE	A	H				B
M8	12.75 13.00	7.85 8.35	3.20	1.50	14.28	17.00 18.00



DETAILS	HEAD DIA.	HEAD HI	WIDTH ACROSS CORNERS	MAJOR DIA.	MAJOR DIA.			PITCH
SIZE	A	H	W min.	F	D	J	K	P
M8	12.75 13.00	3.67 3.97	14.38	6.272 6.438	7.760 7.972	13.60 13.77	67.82 68.50	1.25

MATERIAL:	ALL...THE BEST Inc. www.atbest.ca Construction Sales & Marketing		
EST ASSEMBLY WEIGHT: .214 LBS			
SUPPLIED HARDWARE: NA NA	TITLE S-5! UNIVERSAL EDGE CONDITION		
SCALE: FULL	DRAWING NO. ETP28-B-0-A_ELR27-B-0-A CCD	DRAWN BY DMMH	DATE 09/15/2012
OTHER:	<small>S-5! PRODUCTS ARE PROTECTED BY MULTIPLE U.S. PATENTS INCLUDING 5,228,248, 5,983,588 AND 6,164,033 (OTHERS ISSUED AND PENDING). EUROPEAN PATENTS ARE ALSO APPLIED FOR AND PENDING UNDER THE PATENT COOPERATION TREATY WITH DIVISIONAL FILING RIGHTS RETAINED. METAL ROOF INNOVATIONS, LTD. (LICENSOR OF S-5! TECHNOLOGY) AGGRESSIVELY PROSECUTES PATENT INFRINGEMENT.</small>		